

PROJECT NAME:-

STRUCTURAL DRAWING OF PROPOSED (G+6) SEVEN STORIED RESIDENTIAL CUM COMMERCIAL BUILDING OF MR. BIPUL BANERJEE S/O LT. CHITTARANJAN BANERJEE, MR. BIDHAN CHANDRA MONDAL S/O SURENDRA NATH MONDAL OVER R.S PLOT NO-26/486.L.R. PLOT NO-116, L.R. KHATIAN NO-2979,1697 J.L. NO.-109, MOUZA- SHANKARPUR, P.S.- N.T.P.S, GRAM PANCHAYAT- JEMUA, DIST.-PASCHIM BARDHAMAN, WEST BENGAL.

NOTES :-

- (±) 0.00 m LEVEL REFERS TO E.G.L.
- UNLESS OTHERWISE STATED ALL CONSTRUCTION ACTIVITIES SHALL BE CARRIED OUT CONFORMING TO RELEVANT (INDIAN) STANDARD CODES OF PRACTICE.
- ALL DIMENSIONS ARE IN MILLIMETERS & LEVELS ARE IN METER. EXCEPT OTHERWISE MENTIONED, ONLY WRITTEN DIMENSIONS SHALL BE FOLLOWED. ALL LEVELS GIVEN IN STRUCTURAL DRAWINGS ARE IN ACCORDANCE WITH ARCHITECTURAL DRAWINGS AND INDICATE STRUCTURAL LEVEL ONLY (WITHOUT FINISH). HOWEVER ARCHITECTURAL DRAWING TO BE COORDINATED FOR ALL LEVELS.
- ALL STRUCTURAL DRAWINGS SHALL BE READ ALONG WITH THIS DRAWING AS WELL AS RELEVANT ARCHITECTURAL DRAWINGS.
- ANY DISCREPANCY IN THE STRUCTURAL AND ARCHITECTURAL DRAWINGS SHALL BE BROUGHT TO THE NOTICE OF STRUCTURAL CONSULTANT BEFORE EXECUTION OF WORK.
- UNLESS OTHERWISE SPECIFIED ALL REINFORCEMENT TO BE USED SHALL BE TMT. BARS OF GRADE Fe-500/500 D CONFORMING TO IS:-1786-2008.
- ADEQUATE CHAIR BARS TO BE PROVIDED TO KEEP THE TOP REINFORCEMENT IN PROPER POSITION.
- UNLESS OTHERWISE STATED LAP LENGTH OF BARS SHALL BE DEVELOPMENT LENGTH=50xBAR DIA.
- UNLESS OTHERWISE SPECIFIED DISTRIBUTION REINFORCEMENT SHALL BE 8 T @ 250 C/C
- CONCRETE COVER TO MAIN REINFORCEMENT SHALL BE AS FOLLOWS:- a)Beam:-25mm, b)Column:-40mm, c)Slab:-15mm, d)Footings:-50mm, e)R.C.C Wall:-20mm, f) Stair:- 20mm.
- Grade of concrete will be M30 for column and M25 for beam and sub structure as per is:-456:2000.
- Development length 50xD for lap & splices should be provided as per the provisions laid down in SP34:1987

VETTED BY:-

*S. N. Mukherjee*  
DR. S. N. MUKHERJEE  
Professor  
CIVIL ENGINEERING DEPT.  
JADAVPUR UNIVERSITY  
KOLKATA-700032, W.B.

Approved Plan No. 3 on Meeting  
No. 09/2023-24 Date 07/11/2023  
Valid upto 25/01/2025  
**Saptasati Sen**  
Pradhan 26/01/23  
Jemua Gram Panchayat

TITLE:-

TYPICAL FLOOR ROOF BEAM LAYOUT PLAN WITH SECTION DETAILS AND SCHEDULE, SECTIONAL DETAILS OF CANTILEVER BEAM, SCHEDULE AND SECTIONAL DETAILS OF SLAB.

DRAWN BY: A BADYAKAR.

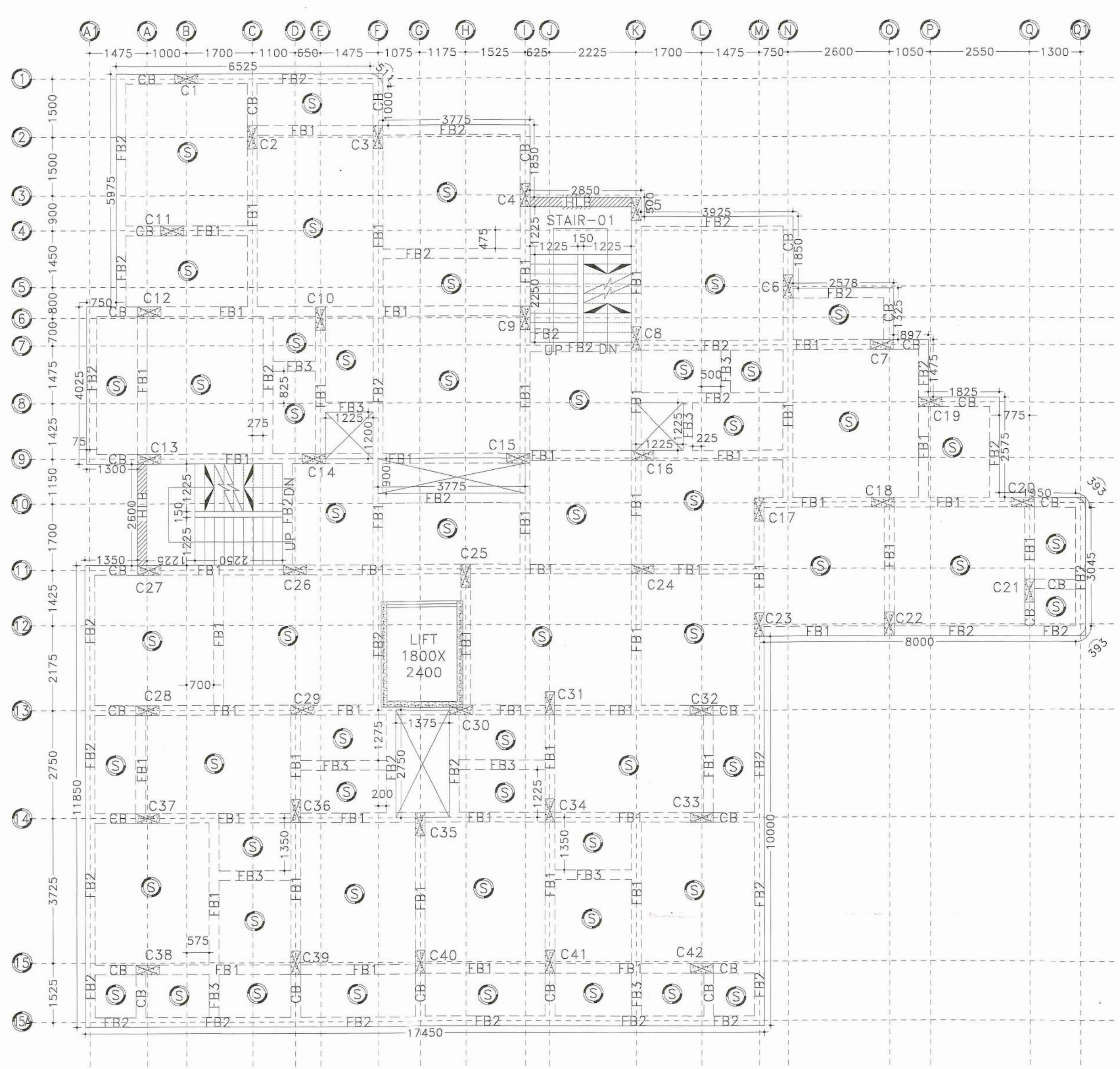
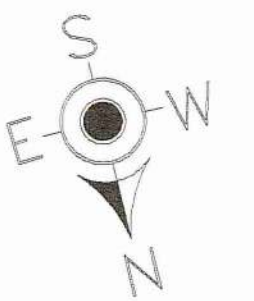
CHECKED BY: S AKHTER.

SCALE : 1:100, 1:50, 1:25, N.T.S

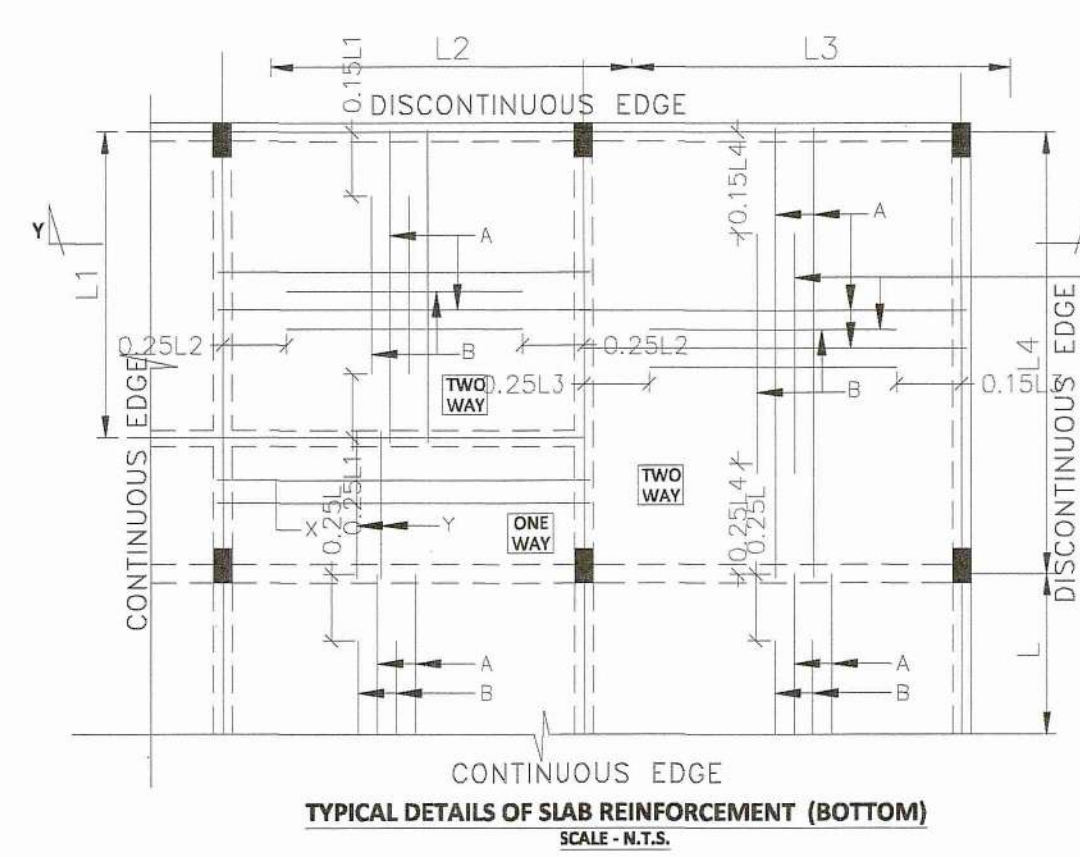
REV-00

DATE: 06.10.2023

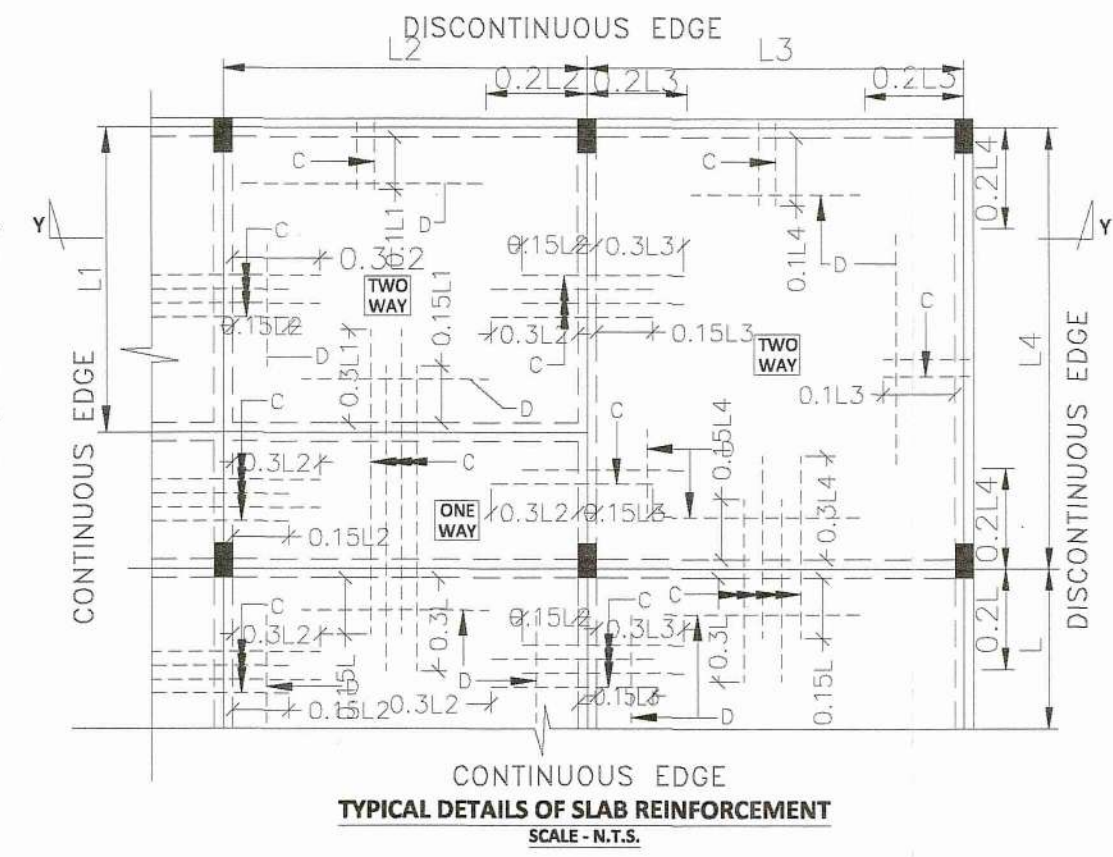
SHEET NO:- STRUCTURE:-03-03



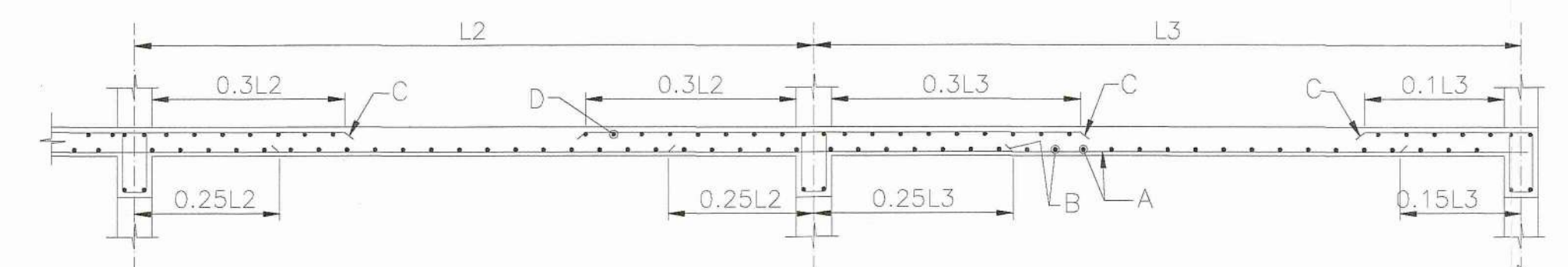
1A TYPICAL FLOOR ROOF BEAM LAYOUT PLAN. SCALE: 1:100



TYPICAL DETAILS OF SLAB REINFORCEMENT (BOTTOM) SCALE: N.T.S.



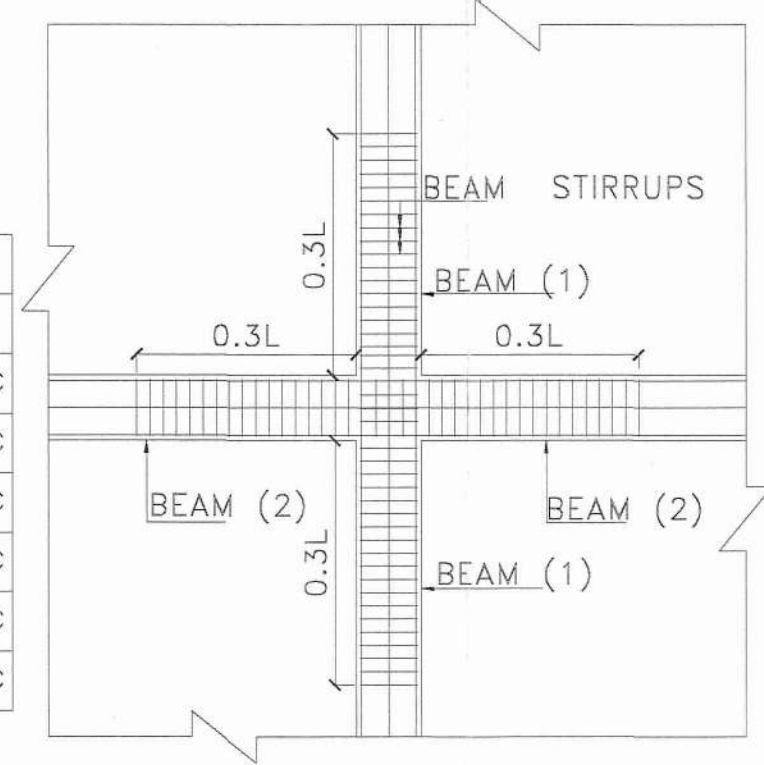
TYPICAL DETAILS OF SLAB REINFORCEMENT SCALE: N.T.S.



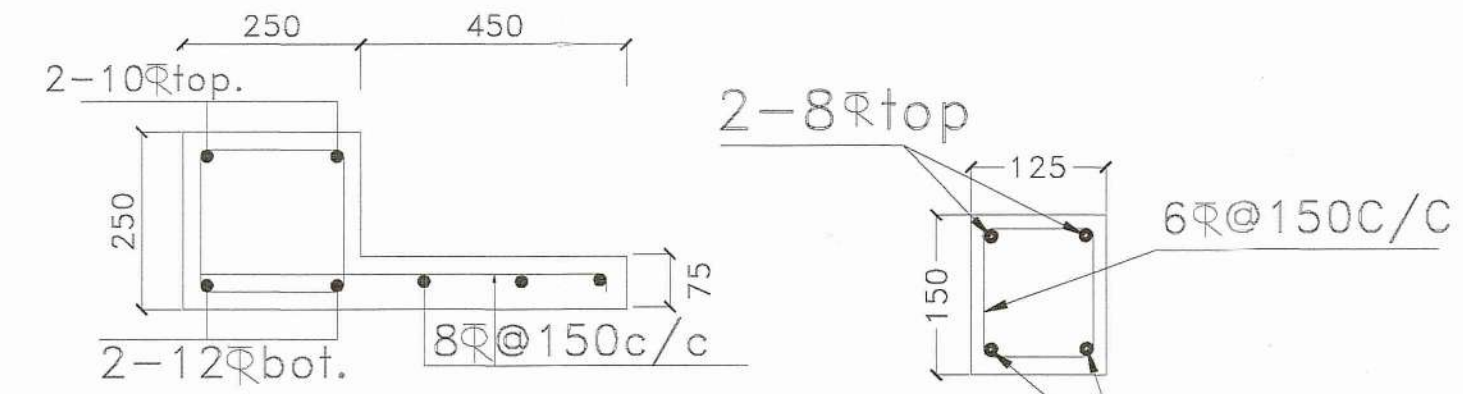
SECTION - Y-Y SCALE - N.T.S.

TABLE NO:-01 (SCHEDULE OF FLOOR BEAM)

Beam Mkd	Size	All Through	Ext. at End Supp. Top (b)	Ext. at Spn. Bott (e)	Ext. at Cont. Supp. Top (b)	STIRRUPS		
						Top(a)	Bot.(c)	Support
FB1	300 450	3-16R	3-16R	2-16R	2-16R	2-16R	2L-8R@125C/C	2L-8R@125C/C
FB2	300 400	3-16R	3-16R	1-16R	1-16R	1-16R	2L-8R@125C/C	2L-8R@125C/C
FB3	300 350	3-16R	3-16R				2L-8R@125C/C	2L-8R@125C/C
CB	300 450	3-16R	3-16R				2L-8R@125C/C	2L-8R@125C/C
CB1	300 450	3-16R	3-16R	2-16R			2L-8R@125C/C	2L-8R@125C/C
HLB	300 400	3-16R	3-16R	1-16R	1-16R	1-16R	2L-8R@125C/C	2L-8R@125C/C



5 DETAILS OF CROSS BEAM JUNCTION SCALE: 1:50



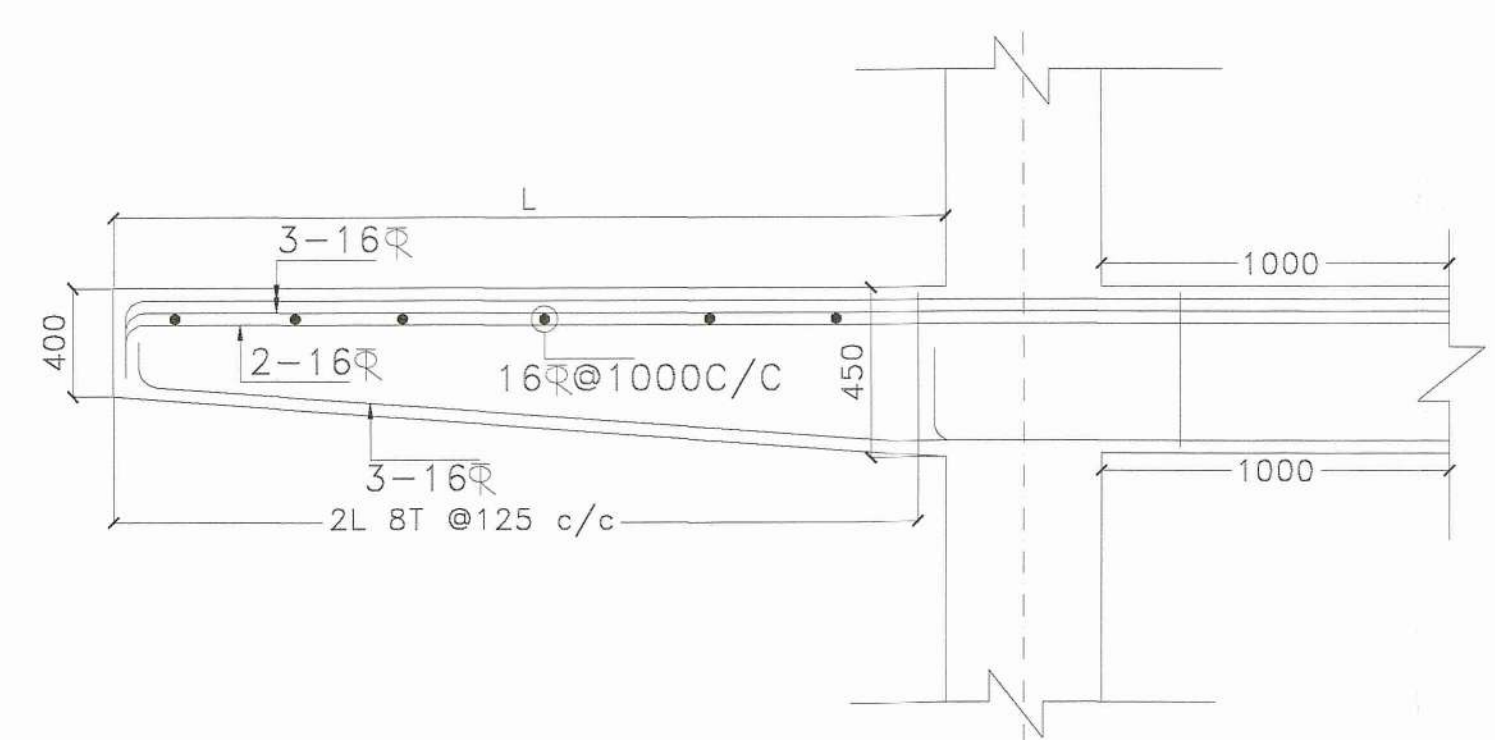
CONTINUOUS LINTEL WITH CHAJJA ALONG EXTERNAL WALL scale-1:25

CUT LINTEL OVER 125 THK. WALL scale-1:25

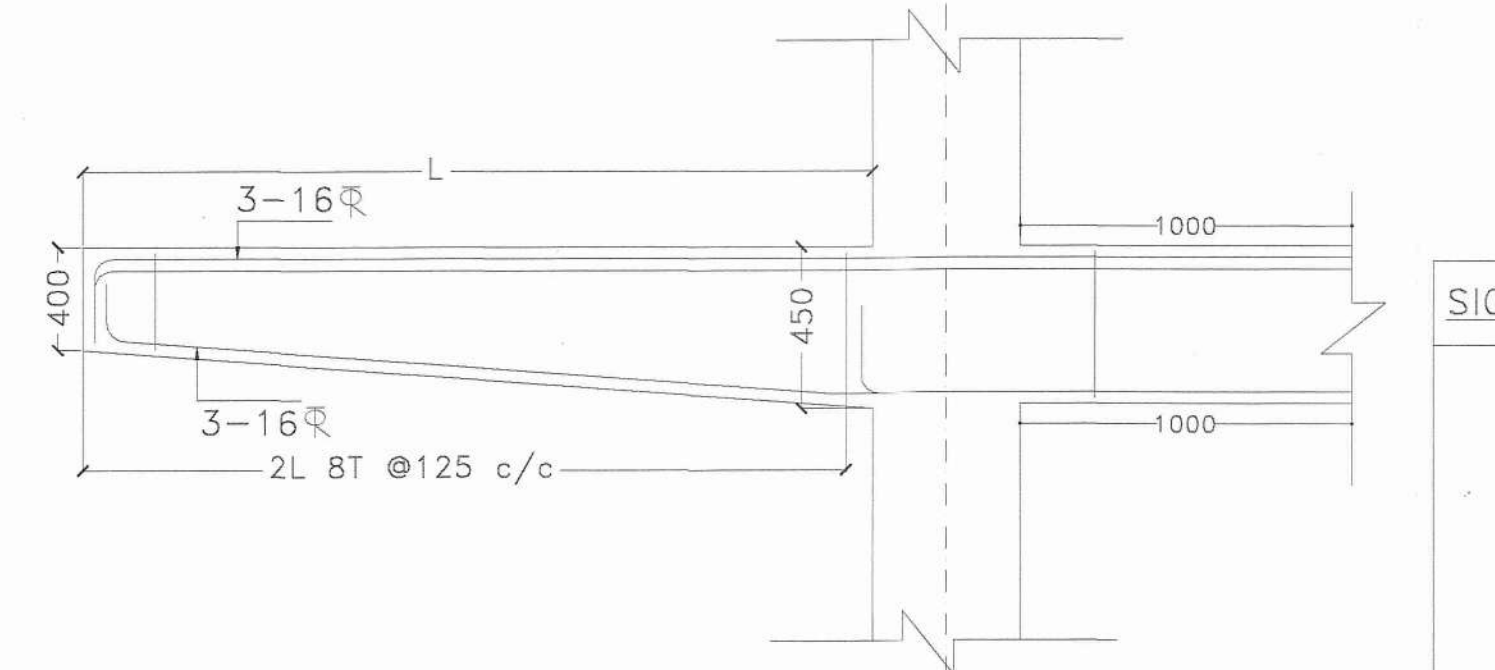
TABLE NO:-2 (SCHEDULE OF BASEMENT FLOOR SLAB)

SLAB THICKNESS - 200 mm (S1)

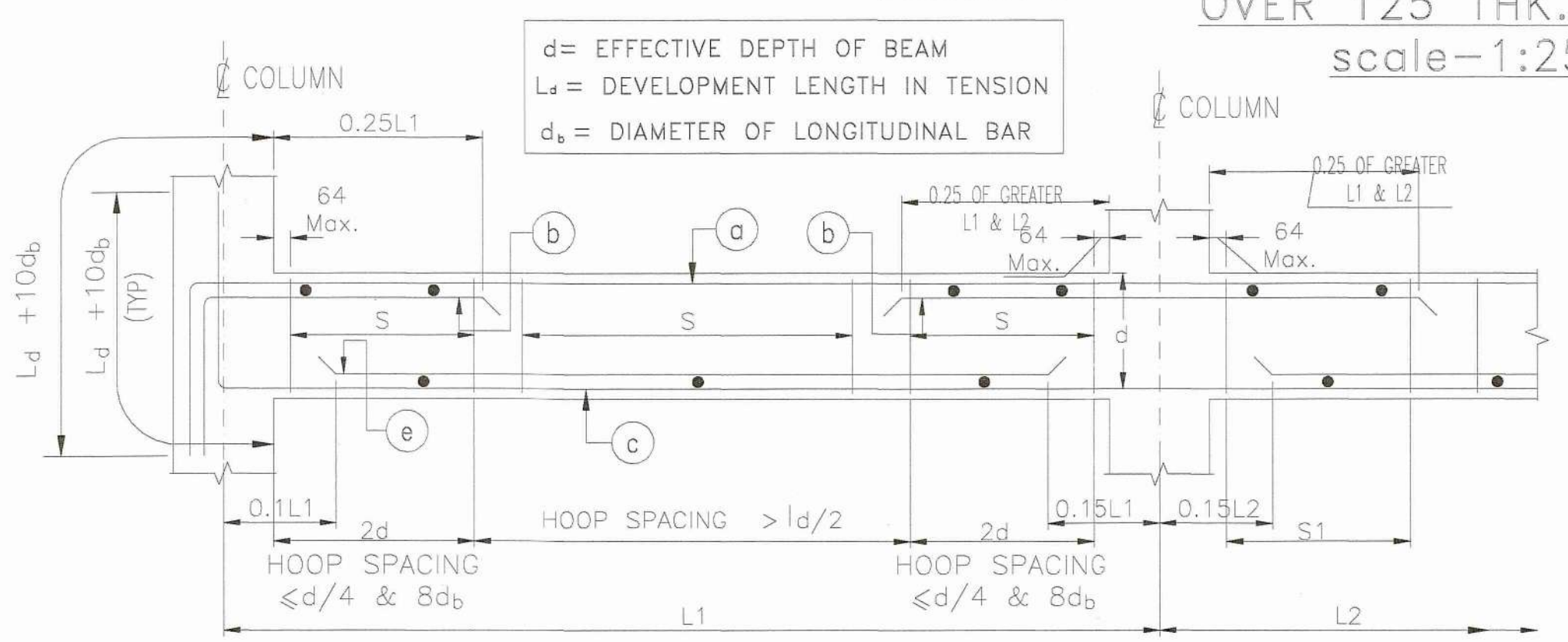
BAR MKD.	REINFORCEMENT	POSITION
A	12T @ 150 mm C/C (ALL THROUGH)	BOT.
B	12T @ 150 mm C/C (ALL THROUGH)	BOT.
C	12T @ 150 mm C/C (CURTAILMENT)	TOP
D	12T @ 150 mm C/C (CURTAILMENT)	TOP
X	12T @ 150 mm C/C (ALL THROUGH)	BOT.
Y	12T @ 150 mm C/C (ALL THROUGH)	BOT.



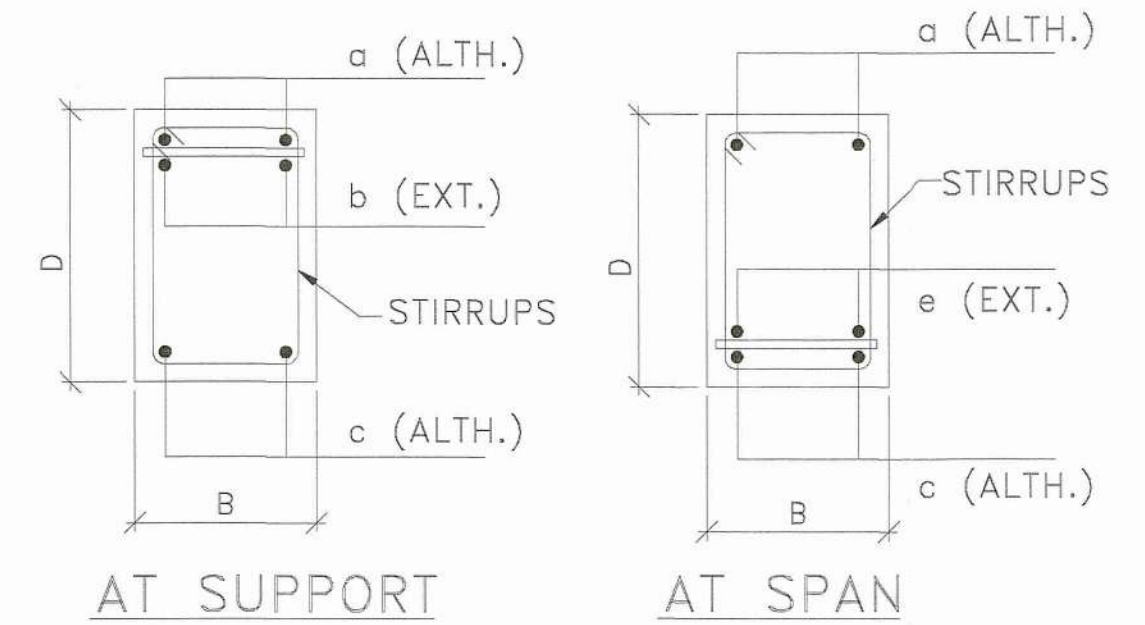
3 TYPICAL SECTION OF CANTILEVER BEAM(CB1) SCALE: N.T.S



3 TYPICAL SECTION OF CANTILEVER BEAM(CB) SCALE: N.T.S



TYPICAL ARRANGEMENT OF REINFORCEMENT IN BEAM



TYPICAL CROSS SECTION OF FLOOR BEAM

SIGNATURE OF DEVELOPER/OWNER:-

*Future Builders & Developers*  
**Manoj Kumar**  
Partner  
**Kingfisher Park**  
Partner

SIGNATURE OF ARCHITECT:-

**Manju Monowara Khatun**  
MANJU MONOWARA KHATUN  
ARCHITECT  
CA/2022/146222  
GIDS, Durgapur -16

SIGNATURE OF GEOTECHNICAL ENGINEER:-

**B. K. Mandal**  
B.E. (Civil), M.T.E., M.T.S.  
L.B.S. - Class-I (K.M.C.) ESE-II  
Consulting Chartered Engineer  
Structural & Geo-Technical  
ESE-11/998, LBS-11/245

SIGNATURE OF STRUCTURAL ENGINEER:-

**H. M. Ghosh**  
Structural Engineer  
Lic No. L.B.P.16163/AJK-DIAC/BD/165  
DCE, B-TECH, G.I.D.S., Durgapur-18  
Contact No. - 7602984157